



## FEATURES & SPECIFICATIONS

### INTENDED USE

Provides years of maintenance-free illumination for outdoor use in residential & commercial applications. Ideal for applications such as lighting walkways and stairways for safety and security.

### CONSTRUCTION

Cast-aluminum housing with corrosion-resistant paint in either dark bronze or white finish. ADA compliant.

### OPTICS

4000K CCT LEDs.

Polycarbonate lens protects the LED from moisture, dirt and other contaminants.

**LUMEN MAINTENANCE:** The LED will deliver 70% of its initial lumens at 50,000 hour average LED life. See Lighting Facts label on page 2 for performance details.

### ELECTRICAL

MVOLT driver operates on any line voltage from 120-277V

Operating temperature -30°C to 40°C.

1KV surge protection standard.

### INSTALLATION

Surface mounts to universal junction box (provided by others).

### LISTINGS

UL Listed to U.S. and Canadian safety standards for wet locations.

Tested in accordance with IESNA LM-79 and LM-80 standards.

**WARRANTY** — 5-year limited warranty. This is the only warranty provided and no other statements in this specification sheet create any warranty of any kind. All other express and implied warranties are disclaimed. Complete warranty terms located at:

[www.acuitybrands.com/support/customer-support/terms-and-conditions](http://www.acuitybrands.com/support/customer-support/terms-and-conditions)

**Note:** Actual performance may differ as a result of end-user environment and application.

All values are design or typical values, measured under laboratory conditions at 25 °C.

Specifications subject to change without notice.

Catalog Number
Notes
Type

Outdoor General Purpose

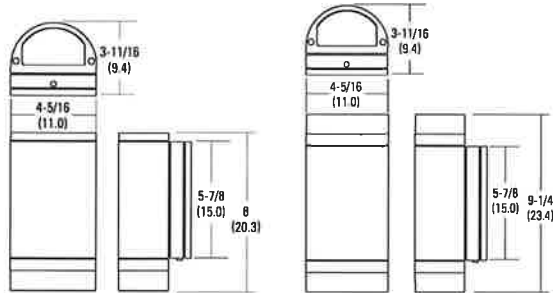
# OLLWD & OLLWU

LED WALL CYLINDER LIGHT



### Specifications

All dimensions are inches (centimeters)



### ORDERING INFORMATION

For shortest lead times, configure products using **bolded options**.

**Example:** OLLWD LED P1 40K MVOLT DDB

Series	Performance Package	Color temperature (CCT)	Voltage	Finish
<b>OLLWD LED</b> Downlight	<b>P1</b>	<b>40K</b> 4000K	<b>MVOLT</b> 120V-277V	<b>DDB</b> Dark bronze
<b>OLLWU LED</b> Up & downlight			<b>120</b> 120V <sup>1</sup>	<b>WH</b> White <sup>2</sup>

### Notes

1. Only available with OLLWU and in DDB.
2. Only available with OLLWU.



## Tad LED Vanity - Universal Driver TADV Series

LOCATION	Bathroom	DATE
PREPARED BY		QUANTITY
COMMENTS		FIXTURE TYPE
CATALOG NUMBER		

### Features

Contemporary vanity with metal accents. Ideal use for general lighting in indoor residential, commercial, and hospitality applications. Fixture can be mounted horizontally or vertically to a standard junction box (not included).

### Construction

Fabricated metal housing. Standard mounting holes and hardware are included. Power supply connections must be made inside a junction box (not included).

### Finish

Black or Satin Nickel finish.

### Diffuser

White acrylic diffuser.

### Electrical

Input 120-277 VAC / 60 Hz.  
0-10V dimming (120-277V), TRIAC/ELV (120V)

### LED

Integrated LED modules capable of producing:  
18W = 1700 delivered lumens  
26W = 2500 delivered lumens  
34W = 3200 delivered lumens  
Adjustable Choice 2700K, 3000K, 3500K, 4000K, 5000K (CCT).  
Rated for 50,000 Hrs., 90 CRI.

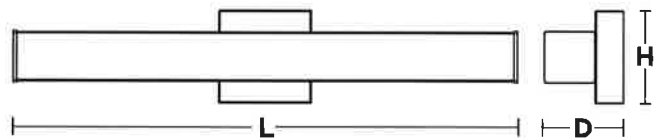
### Certification

All fixtures are cETLus listed for indoor damp locations.  
ADA Compliant  
Title 24/JAB Compliant

### Warranty

Limited warranty: This fixture is free from defects in materials and workmanship for a period of 5 year from date of purchase.

**Specifications and dimensions**  
subject to change without notice.



## Ordering Information:

Finish	Model	LED	Delivered Lumens	Adjustable CCT	L	H	D
<del>Black</del>	<del>TADV2404LAJUDBK</del>	<del>18W</del>	<del>1700</del>	<del>2700K/3000K/3500K/4000K/5000K</del>	<del>24-3/4"</del>	<del>4-1/2"</del>	<del>4"</del>
<del>TADV3604LAJUDBK</del>	<del>TADV3604LAJUDSN</del>	<del>26W</del>	<del>2500</del>	<del>2700K/3000K/3500K/4000K/5000K</del>	<del>36-3/4"</del>	<del>4-1/2"</del>	<del>4"</del>
<del>TADV4804LAJUDBK</del>	<del>TADV4804LAJUDSN</del>	<del>34W</del>	<del>3200</del>	<del>2700K/3000K/3500K/4000K/5000K</del>	<del>48-1/2"</del>	<del>4-1/2"</del>	<del>4"</del>



LOCATION		DATE
PREPARED BY		QUANTITY
COMMENTS		FIXTURE TYPE
CATALOG NUMBER		

## Lugano LED Linear Flat Panels LGNL Series

### Features

This ultra low profile design provides a dramatic look and features an edge-lit light panel construction. Products can be used in various applications including corridors, bath, hallway, kitchen and anywhere general lighting is needed. Fixture mounts to standard junction box (not included).



### Construction

Aluminum picture frame construction. Fixture includes tether cords to allow for easy installation. Standard mounting holes and hardware are included. Power supply connections must be made inside a junction box (not included).

### Finish

Black or White finish.  
(Satin Nickel available in 48" x 12" ONLY)

### Diffuser

White acrylic diffuser.

### Electrical

Input 120-277 VAC 60 HZ.  
TRIAC and ELV dimming only at 120 VAC.

### LED

Integrated LED modules capable of producing:  
25W = 1870 delivered lumens  
30W = 3550 delivered lumens  
45W = 3550 delivered lumens  
45W = 4500 delivered lumens  
Adjustable Choice 2700K, 3000K, 3500K, 4000K, 5000K (CCT).  
Rated for 50,000 Hrs. 90 CRI.

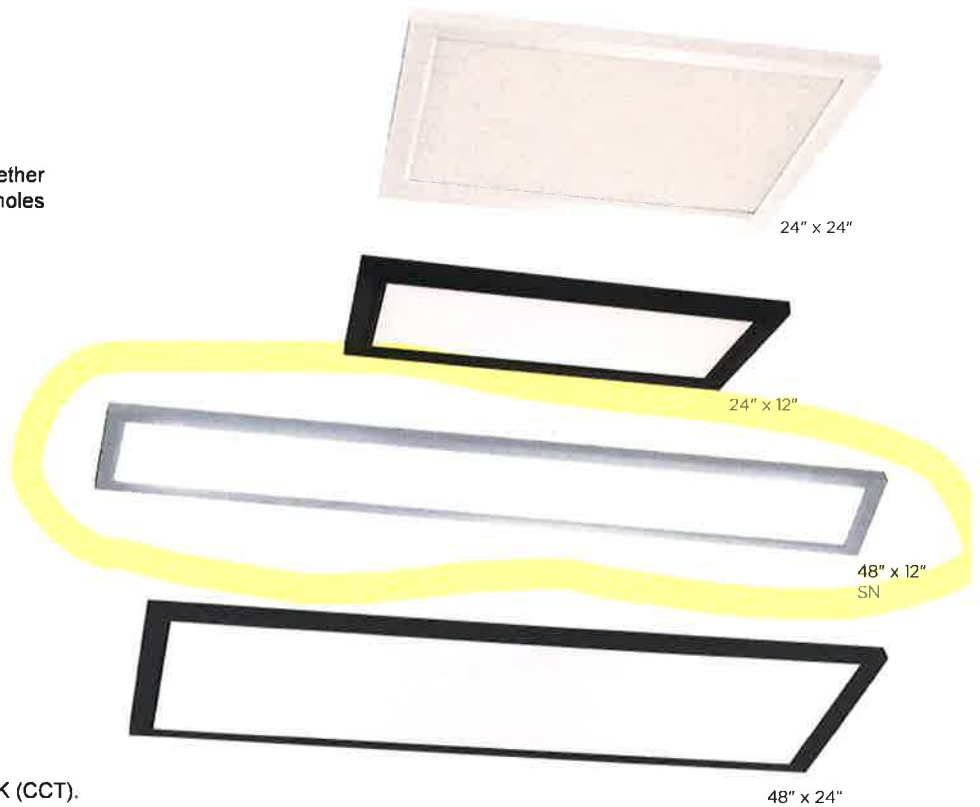
### Certification

All fixtures are cETLus listed for indoor damp locations.  
Title 24/JA8 Compliant

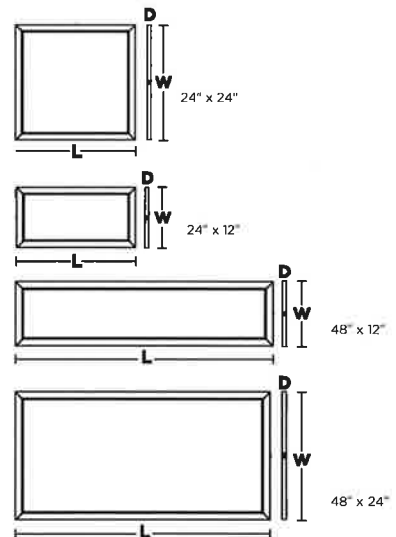
### Warranty

Limited warranty: This fixture is free from defects in materials and workmanship for a period of 5 years from date of purchase.

**Specifications and dimensions subject to change without notice.**



Selectable CCT switch  
2700 - 5000K



## Ordering Information:

Black	Satin Nickel	White	LED	Delivered Lumens	Adjustable CCT	L	W	D
LGNL2412LAJD4BK	LGNL2412LAJD4SN	LGNL2412LAJD4WH	25W	1870	2700K/3000K/3500K/4000K/5000K	24"	12"	3/4"
LGNL2424LAJD4BK	-	LGNL2424LAJD4WH	45W	3550	2700K/3000K/3500K/4000K/5000K	24"	24"	3/4"
LGNL4812LAJD4BK	LGNL4812LAJD4SN	LGNL4812LAJD4WH	45W	3550	2700K/3000K/3500K/4000K/5000K	48"	12"	3/4"
LGNL4824LAJD4BK	-	LGNL4824LAJD4WH	50W	4500	2700K/3000K/3500K/4000K/5000K	48"	24"	3/4"



LOCATION		DATE
PREPARED BY		QUANTITY
COMMENTS		FIXTURE TYPE
CATALOG NUMBER		

## Edge Round Large LED Surface Mount Disc Light EGRF Series

### Features

This ultra low profile design provides a dramatic look and features an edge-lit light panel construction. Products can be used in various applications including corridors, closets, bath, showers, hallway, kitchen and anywhere general lighting is needed.  
Indoor use only - Wall or ceiling mount.  
Outdoor use only - Covered ceiling mount.



### Construction

Edge-lit technology housing is injection molded with steel backplate.  
Twist and lock bracket.  
Mounts to standard junction box (not included).  
Power supply connections must be made inside junction box.

### Finish

Black, Satin Nickel or White.

### Diffuser

White acrylic diffuser.

### Electrical

Input 120-277 VAC 60 HZ.  
Compatible with residential (TRIAC/ELV) and commercial (0-10V) dimmers.  
TRIAC and ELV dimming only at 120 VAC.

### LED

Integrated LED modules capable of producing:  
25W = 2000 delivered lumens  
30W = 2250 delivered lumens  
40W = 2600 delivered lumens  
Adjustable 2700K, 3000K, 3500K, 4000K, 5000K (CCT).  
Rated for 50,000 Hrs., 90 CRI.

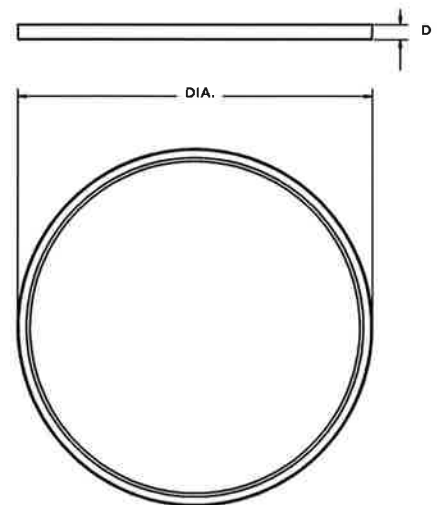
### Certification

cETLus listed  
Title 24/JA8 Compliant  
Wet location rated for indoor use. Outdoor wet location rated for covered ceiling mount applications ONLY (not recommended for any other outdoor use).  
Suitable for use in clothes closets when installed in accordance with the NEC 410.16 spacing requirements.

### Warranty

Limited warranty: This fixture is free from defects in materials and workmanship for a period of 5 years from date-of-purchase.

Specifications and dimensions subject to change without notice.



### Ordering Information:

Black	Satin Nickel	White	LED	Delivered Lumens	Adjustable CCT	DIA.	D
EGRF1625LAJUDBK	EGRF1625LAJUDSN	EGRF1625LAJUDWH	25W	2000	2700K/3000K/3500K/4000K/5000K	16"	1"
EGRF2030LAJUDBK	EGRF2030LAJUDSN	EGRF2030LAJUDWH	30W	2250	2700K/3000K/3500K/4000K/5000K	20"	1"
EGRF2440LAJUDBK	EGRF2440LAJUDSN	EGRF2440LAJUDWH	40W	2600	2700K/3000K/3500K/4000K/5000K	23-5/8"	1"



# Edge Round LED Surface Mount Disc Light EGRF Series

## Features

This ultra low profile design provides a dramatic look and features an edge-lit light panel construction. Products can be used in various applications including corridors, closets, bath, showers, hallway, kitchen and anywhere general lighting is needed.  
Indoor use only - Wall or ceiling mount. Outdoor use only - Covered ceiling mount.

## Construction

Edge-lit technology housing is injection molded with aluminum backplate.  
Snap-in bracket. Mounts to standard junction box (not included).  
Power supply connections must be made inside junction box.

## Finish

White, satin nickel, or black finish.

## Diffuser

White acrylic diffuser.

## Electrical

Direct wired with a constant current low voltage electronic LED driver.  
D1 - 120V, TRIAC/ELV dimming only.  
D3 - 277V, 1-10V dimming only.  
D5 - 120V, 1-10V dimming only.

## Lamping

Fixture includes a LED modules capable of producing:  
12W = 720 delivered lumens  
15W = 1000 delivered lumens  
22W = 1320 delivered lumens  
Adjustable Choice 2700K, 3000K, 3500K, 4000K, 5000K (CCT).  
Rated 24/7, working temperature: -20°C ~ 45°C for 50,000 Hrs. 90 CRI.

## Certification

cETLus listed  
Title 24/JA8 Compliant  
Wet location rated for indoor use. Outdoor wet location rated for covered ceiling mount applications ONLY (not recommended for any other outdoor use).  
Suitable for use in clothes closets when installed in accordance with the NEC 410.16 spacing requirements.

## Options - Sold Separately

Retrofit Kit for 4" and 6" ceiling cans.  
\*Battery back-up (EGRF-BB08) for 8" models (white finish).  
Spacer Pan (EGRF-BB08PAN) for 8" models (white finish).

## Warranty

Limited warranty: This fixture is free from defects in materials and workmanship for a period of 5 years from date of purchase.

## Products ordered with battery back-up:

Fixture must be installed and the battery energized within six months of the purchase date to remain eligible for warranty coverage. Failure to comply may result in complete battery discharge, rendering it irrecoverable and thereby voiding the warranty.

Specifications and dimensions subject to change without notice.

## Ordering Information:

### D1 (120V, TRIAC/ELV dimming)

Black	Satin Nickel	White	LED	Delivered Lumens	Adjustable CCT	DIA.	D
EGRF06LAJD1BK	EGRF06LAJD1SN	EGRF06LAJD1WH	12W	720	2700K/3000K/3500K/4000K/5000K	5-3/8"	3/4"
EGRF08LAJD1BK*	EGRF08LAJD1SN*	EGRF08LAJD1WH*	15W	1000	2700K/3000K/3500K/4000K/5000K	8"	3/4"
EGRF12LAJD1BK*	EGRF12LAJD1SN*	EGRF12LAJD1WH*	22W	1320	2700K/3000K/3500K/4000K/5000K	12"	3/4"

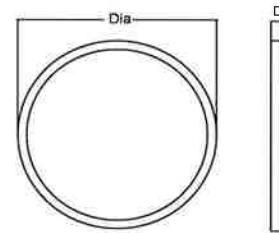
### D3 (277V, 1-10V dimming)

Black	White	LED	Delivered Lumens	Adjustable CCT	DIA.	D
EGRF06LAJD3BK	EGRF06LAJD3WH	12W	720	2700K/3000K/3500K/4000K/5000K	5-3/8"	3/4"
EGRF08LAJD3BK*	EGRF08LAJD3WH*	15W	1000	2700K/3000K/3500K/4000K/5000K	8"	3/4"
EGRF12LAJD3BK*	EGRF12LAJD3WH*	22W	1320	2700K/3000K/3500K/4000K/5000K	12"	3/4"

### D5 (120V, 1-10V dimming)

Black	White	LED	Delivered Lumens	Adjustable CCT	DIA.	D
EGRF06LAJD5BK	EGRF06LAJD5WH	12W	720	2700K/3000K/3500K/4000K/5000K	5-3/8"	3/4"
EGRF08LAJD5BK*	EGRF08LAJD5WH*	15W	1000	2700K/3000K/3500K/4000K/5000K	8"	3/4"
EGRF12LAJD5BK*	EGRF12LAJD5WH*	22W	1320	2700K/3000K/3500K/4000K/5000K	12"	3/4"

LOCATION		DATE
PREPARED BY		QUANTITY
COMMENTS		FIXTURE TYPE
CATALOG NUMBER		



### SINGLE/ADJUSTABLE ACCESSORIES

Retrofit Kit	Retrofit Kit	*Battery Back-Up	Spacer Pan
EGRF-RETO4 For use in converting 4 in. round ceiling cans	EGRF-RETO6 For use in converting 6 in. round ceiling cans	EGRF-BB08 8" Model EGRF-BB12 12" Model Shown installed with fixture (Fixture sold separately) White finish only.	EGRF-BB08PAN 8" Model EGRF-BB12PAN 12" Model Shown installed with fixture (Fixture sold separately) White finish only.



# Edge Round LED Surface Mount Disc Light EGRF Series

## Features

This ultra low profile design provides a dramatic look and features an edge-lit light panel construction. Products can be used in various applications including corridors, closets, bath, showers, hallway, kitchen and anywhere general lighting is needed.  
Indoor use only - Wall or ceiling mount. Outdoor use only - Covered ceiling mount.

## Construction

Edge-lit technology housing is injection molded with aluminum backplate.  
Snap-in bracket. Mounts to standard junction box (not included).  
Power supply connections must be made inside junction box.

## Finish

White, satin nickel, or black finish.

## Diffuser

White acrylic diffuser.

## Electrical

Direct wired with a constant current low voltage electronic LED driver.  
D1 - 120V, TRIAC/ELV dimming only.  
D3 - 277V, 1-10V dimming only.  
D5 - 120V, 1-10V dimming only.

## Lamping

Fixture includes a LED modules capable of producing:  
12W = 720 delivered lumens  
15W = 1000 delivered lumens  
22W = 1320 delivered lumens  
Adjustable Choice 2700K, 3000K, 3500K, 4000K, 5000K (CCT).  
Rated 24/7, working temperature: -20°C ~ 45°C for 50,000 Hrs. 90 CRI.

## Certification

cETLus listed  
Title 24/JA8 Compliant  
Wet location rated for indoor use. Outdoor wet location rated for covered ceiling mount applications ONLY (not recommended for any other outdoor use).  
Suitable for use in clothes closets when installed in accordance with the NEC 410.16 spacing requirements.

## Options - Sold Separately

Retrofit Kit for 4" and 6" ceiling cans.  
\*Battery back-up (EGRF-BB08) for 8" models (white finish).  
Spacer Pan (EGRF-BB08PAN) for 8" models (white finish).

## Warranty

Limited warranty: This fixture is free from defects in materials and workmanship for a period of 5 years from date of purchase.

## Products ordered with battery back-up:

Fixture must be installed and the battery energized within six months of the purchase date to remain eligible for warranty coverage. Failure to comply may result in complete battery discharge, rendering it irrecoverable and thereby voiding the warranty.

Specifications and dimensions subject to change without notice.

## Ordering Information:

### D1 (120V, TRIAC/ELV dimming)

Black	Satin Nickel	White	LED	Delivered Lumens	Adjustable CCT	DIA.	D
EGRF06LAJD1BK	EGRF06LAJD1SN	EGRF06LAJD1WH	12W	720	2700K/3000K/3500K/4000K/5000K	5-3/8"	3/4"
EGRF08LAJD1BK*	EGRF08LAJD1SN*	EGRF08LAJD1WH*	15W	1000	2700K/3000K/3500K/4000K/5000K	8"	3/4"
EGRF12LAJD1BK*	EGRF12LAJD1SN*	EGRF12LAJD1WH*	22W	1320	2700K/3000K/3500K/4000K/5000K	12"	3/4"

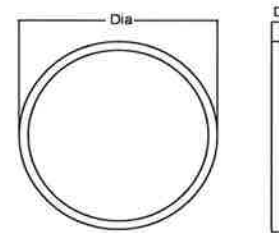
### D3 (277V, 1-10V dimming)

Black	White	LED	Delivered Lumens	Adjustable CCT	DIA.	D
EGRF06LAJD3BK	EGRF06LAJD3WH	12W	720	2700K/3000K/3500K/4000K/5000K	5-3/8"	3/4"
EGRF08LAJD3BK*	EGRF08LAJD3WH*	15W	1000	2700K/3000K/3500K/4000K/5000K	8"	3/4"
EGRF12LAJD3BK*	EGRF12LAJD3WH*	22W	1320	2700K/3000K/3500K/4000K/5000K	12"	3/4"

### D5 (120V, 1-10V dimming)

Black	White	LED	Delivered Lumens	Adjustable CCT	DIA.	D
EGRF06LAJD5BK	EGRF06LAJD5WH	12W	720	2700K/3000K/3500K/4000K/5000K	5-3/8"	3/4"
EGRF08LAJD5BK*	EGRF08LAJD5WH*	15W	1000	2700K/3000K/3500K/4000K/5000K	8"	3/4"
EGRF12LAJD5BK*	EGRF12LAJD5WH*	22W	1320	2700K/3000K/3500K/4000K/5000K	12"	3/4"

LOCATION		DATE
PREPARED BY		QUANTITY
COMMENTS		FIXTURE TYPE
CATALOG NUMBER		



### SINGLE/ADJUSTABLE ACCESSORIES

Retrofit Kit	Retrofit Kit	*Battery Back-Up	Spacer Pan
EGRF-RET04 For use in converting 4 in. round ceiling cans	EGRF-RET06 For use in converting 6 in. round ceiling cans	EGRF-BB08 8" Model EGRF-BB12 12" Model Shown installed with fixture (Fixture sold separately) White finish only.	EGRF-BB08PAN 8" Model EGRF-BB12PAN 12" Model Shown installed with fixture (Fixture sold separately) White finish only.



Location: \_\_\_\_\_  
 Fixture Type: \_\_\_\_\_  
 Notes: \_\_\_\_\_

**65-1211** - LED 4 Foot Wrap; 39 Watts;  
 27K/30K/35K/40K/50K CCT Selectable; White Finish;  
 120-277 Volt



GENERAL	
Company	NUVO
Height	47.64
Width	2.76
Length	5.71
Flt Included	Integrated
Material	Steel
Fixture Type	Ceiling Wrap
Status	Active
Style	Utility
Surge Protection	Built-in surge protection - 2.5KV
Total Harmonic Distortion	<20%
CCT Selectable	Yes
Dimmable	No
Finish Family	White
amps	0.330A
Has Camera	No
BT Enabled	No
Lens Finish	White
Lens Material	Polycarbonate (PC)
Sealed	Yes
Power Factor	0.9
OS Class	LED_Fixture
Indoor Outdoor	Indoor
Product Technology	LED
Incandescent Equivalent	175W

ELECTRICAL	
CCT (Kelvin Temp)	2700K/3000K/3500K/4000K/5000K
Dimmable	Non-Dimmable
Hours Rated	50000
Beam Angle (degree)	110
Color Temp	Warm White to Natural Light
CRI	90+
Operating Frequency	50/60Hz
Operating Temp	-20C (-4F) to +40C (+104F)
Dimensions	3200L-3400L
Volts	120V-277V
Watts	39W

PHYSICAL	
Temp Base	Integrated
Finish	WHITE
VSI Base	Integrated
Temp Type	Integrated LED
Fixture Shape	Linear

ADDITIONAL INFO	
Warranty	5-Years

PACKAGING	
UPC	04592365664
Case Cube	2.076
Case Height	6.
Case Length	48.2
Case Quantity	
Case UPC	1004592365664
Case Weight	19.8
Case Width	11.8
EA Cube	0.434
EA Height	47.6
EA Length	5.7
EA Quantity	
EA Weight	4.4
EA Width	2.7
Pack Type	Box
Web Height	2.5
Web Length	47.2
Web Width	5.

COMPLIANCE	
ADA Compliant	Yes
CA Prop 65	Lead
FCC Compliant	Yes
Location Rating	Damp
NEC Compliance	Clothes Closet Certified - Reg: 410.1 (A)(3) and 410.16 (C)(5)
ROHS Compliant	Yes
Safety Listing	cETLus
California Ban	Lawful for sale
Title 20	Exempt
T24 Compliant	No



LOCATION		DATE
PREPARED BY		QUANTITY
COMMENTS		FIXTURE TYPE
CATALOG NUMBER		



## Soho LED Pendant SSP Series

### Features

Frosted glass cylinder pendant is suspended with an 9 ft. adjustable cord. Canopy mounts to a standard junction box (not included)..

### Construction

The glass cylinder is 14" tall and 3-7/8" in diameter and held into place by three decorative studs. The canopy fits over a standard junction box. Power supply connections must be made inside a junction box (not included).

### Finish

The canopy is plated in black or satin nickel.

### Diffuser

Inner white glass cylinder is 0.14" thick.

### Electrical

Input 120-277 VAC / 60 HZ.

Compatible with residential (TRIAC/ELV) and commercial (0-10V) dimmers. TRIAC and ELV dimming only at 120 VAC.

### LED

Integrated LED modules capable of producing:

15W = 1000 delivered lumens

Selectable 2700K, 3000K, 3500K, 4000K, 5000K (CCT).

Rated for 50,000 Hrs., 90 CRI.

### Certification

All fixtures are ETL listed for indoor damp locations.

### Warranty

Limited warranty: This fixture is free from defects in materials and workmanship for a period of 5 years from date of purchase.

### Specifications and dimensions

subject to change without notice.



## Ordering Information:

Black SSP04LAJUDBKWH	Satin Nickel SSP04LAJUDSNWH	LED 15W	Delivered Lumens 1000	Adjustable CCT 2700K/3000K/3500K/4000K/5000K	DIA. 3-7/8"	H 14-3/4"
-------------------------	--------------------------------	------------	--------------------------	---	----------------	--------------